

RC5230

System Electronics Regulator for Mobile PC's

Features

- Synchronous rectification
- High precision
- High efficiency
- Input and output voltage feedback
- 6V to 20V input voltage range
- ±10% current limit precision
- TSSOP24
- 5V, 5V-Always, 12V and 3.3V outputs
- UVLO
- OVP

Applications

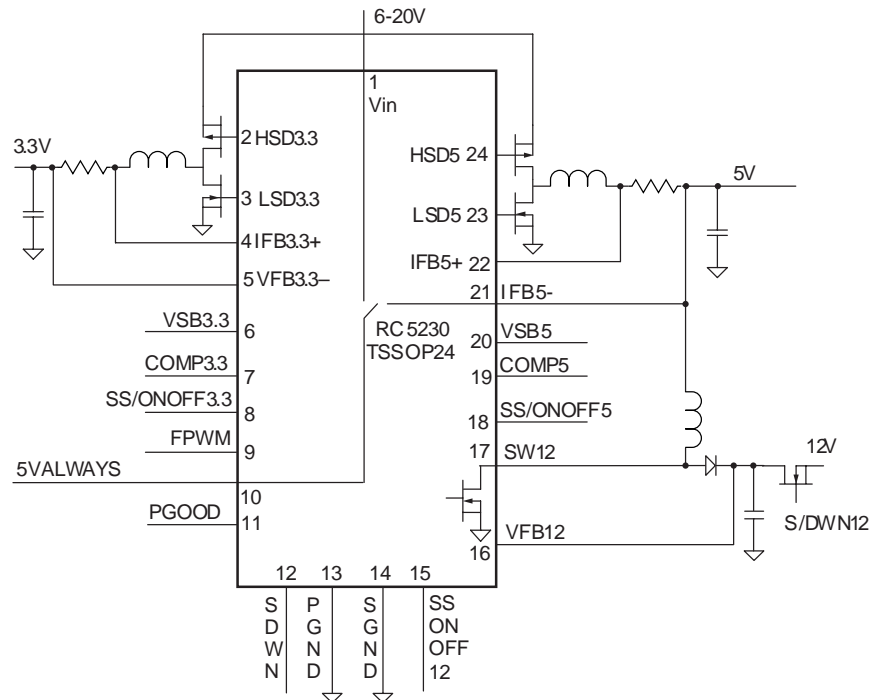
- Notebook and PDA PC's
- Hand-held portable instruments

Description

The RC5230 is a high efficiency and high precision DC/DC controller for notebooks. Double voltage mode- input and output voltage feedback- allows for fast loop response over a wide range of input and output variations.

This scheme also allows for minimum power dissipation as a small value for the sense resistor is selected to set current (as opposed to having to sense current over the entire current range as required in other schemes). The tightly controller current limit threshold allows for a tight design of magnetics and discrete transistors for minimum cost and space at maximum performance.

Block Diagram



Target Specifications